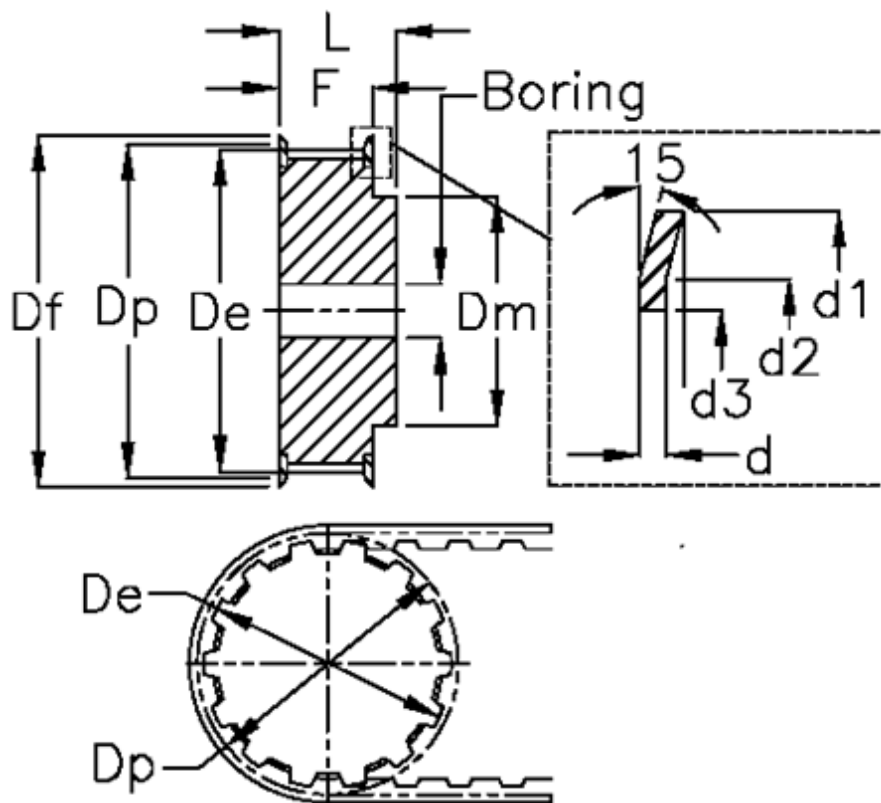


# Data Sheet



Article number: 604144036020  
 Description: Timing belt pulley with hub  
 HTD 36 8M 20

## Measures



Bore = 15	Dp	= 91.67
d = 1.5	F	= 28
d1 = 97	Flange type	= F33
d2 = 93.8	L	= 38
d3 = 83	Tooth number	= 36
De = 90.3	Type	= 8M
Df = 97	Weight	= 1.55
Dm = 75	Width	= 20